



Ice Cube maker



EN - Manual.....	2
NL - Gebruiksaanwijzing.....	12

Read this manual thoroughly before using and save it for future reference

IMPORTANT SAFETY INSTRUCTIONS

To reduce the risk of fire, explosion, electric shock, or injury when using your ice maker, follow these important safety instructions:

- Before using check that the voltage power corresponds to the one shown on the appliance nameplate.
- Do not remove any safety, warning, or product information labels from your ice maker.
- Plug the ice maker into an exclusive grounded power outlet. No other appliance should be plugged into the same outlet. Be sure that the plug is fully inserted into the receptacle.
- This appliance must be grounded. It is equipped with a power cord having a grounding plug. The plug must be plugged into an outlet that is properly installed and grounded.
- Avoid the use of an extension cord because it may overheat and cause a risk of fire. However, if it is necessary to use an extension cord:
 - 1) Use only extension cord with grounding plug.
 - 2) The marked rating of an extension cord must be equal to or greater than the rating of this appliance.
 - 3) It should be positioned such that it does not drape over the counter or tabletop where it can be pulled on by children intentionally.
- Do not operate any appliance with a damage cord or plug or after the appliance malfunction or has been damaged in any manner. Return the appliance to the nearest authorized service facility for examination, repair or adjustment.
- If the supply cord is damaged, it must be replaced by the manufacturer or its service agent or a similarly qualified person in

order to avoid a hazard.

- Do not let cord hang over edge of table or counter.
- Do not place on or near a hot gas or electric burner, or in a heated oven.
- Place power cord in such a way it cannot be pulled on by children or cause a tripping hazard.
- Place power cord in such a way that it is not in contact with hot surfaces.
- The use of attachment not recommended or sold by manufacturer may cause fire, electric shock or injury.
- Do not touch the evaporator when using the ice maker or making ice to avoid being suffer from frostbite.
- Do not immerse any part of the product in water.
- To disconnect, turn any control to "OFF", then remove plug from wall outlet.
- Do not plug or unplug product with wet hands.
- Unplug the product before cleaning,maintaining and when not in use.
- Do not use with water that is microbiologically unsafe or of unknown quality.
- Do not clean your ice maker with any flammable fluids. The fumes may create a fire hazard or explosion.
- Do not overturn the ice maker. If the ice maker is overturned accidentally, make it stand steadily for 2 hours before power it on again.
- If the ice maker is brought in from outside in wintertime, do not use for a few hours, allowing the unit to warm up to the room temperature before operating.
- Never put flammable, explosive and corrosive articles into the ice maker.
- Never use the ice maker when there is flammable gas leakage.
- Never store or use gas and other flammable articles near the ice maker to avoid any fire.
- Unplug the ice maker before moving it to avoid damaging the refrigerating system.

- Do not attempt to disassemble, repair, modify, or replace any part of your product.
- This appliance can be used by children aged from 8 years and above and persons with reduced physical, sensory or mental capabilities or lack of experience and knowledge if they have been given supervision or instruction concerning use of the appliance in a safe way and understand the hazards involved. Children shall not play with the appliance. Cleaning and user maintenance shall not be made by children without supervision.
- Do not leave the appliance unattended while in use.
- Do not use outdoors.
- Do not use the appliance for other than intended use.
- Please abandon the ice maker according to local regulators as it uses flammable blowing gas and refrigerant.
- Please according to local regulations regarding disposal of the appliance for its flammable refrigerant and blowing gas.
- Save these instructions.
- Warning: use only water that can be drunk directly. Do not use cola, sugar water or tea to make ice.
- When using electrical devices, basic safety measures must be taken to reduce the risk of fire, electric shock and injury. Please read the instructions before using any electrical devices.
- Do not place power cords on carpets or other heat sources. Do not place power cords in areas where people or objects are moving or immerse them in water. An extension cord is not recommended because of the risk of overheating, electrical leakage or fire.
- If the power cord is damaged, it must be replaced by a professional.
- You must unplug the machine when it is no longer in use.
- Please unplug or cut off the power supply before cleaning the machine.
- Never Pull the plug with your hand on the power cord. You must take the plug with your hand and pull it out in a straight line.
- No explosives or accelerant sprays shall be stored in the apparatus. This appliance is for household and similar purposes only. A kitchen

area such as a shop, office, or other workplace

- **Warning: do not use ice machines outdoors and do not expose to rain.** Ice machine should be placed in a barrier-free surrounding to ensure smooth ventilation of indoor use.
- Prevent direct sunlight to the machine.
- Please do not tilt the machine. This may cause abnormal noise and size of the ice. If serious, it may cause water leakage.
- If the machine just moved in from the outdoor please do not use it for a period of time until the temperature of the machine rises to room temperature.
- The machine must be grounded and powered at 220V-/50Hz.
- The refrigeration system contains refrigerant in high pressure state, and the refrigeration system shall not be destroyed. Special care should be taken in installation and handling.
- Installation and maintenance must be performed by the manufacturer or professional. Scrap must be disposed of by the designated recycling department.
- Ice machine insulation materials are flammable materials. Stay away from the source of fire. Maintenance must be done by professionals.
- **WARNING: fill with potable water only.**
- **WARNING: Keep ventilation openings clear of obstruction.**
- **WARNING: Do not use mechanical devices or other means to accelerate the defrosting process other than those recommended by the manufacturer.**
- **WARNING: Do not damage the refrigerant circuit.**
- **WARNING: Do not use electrical appliances inside the ice storage compartments of the appliance.**
- **WARNING: When positioning the appliance, ensure the supply cord is not trapped or damaged.**
- **WARNING: Do not use multiple portable socket-outlets or portable power supplies.**

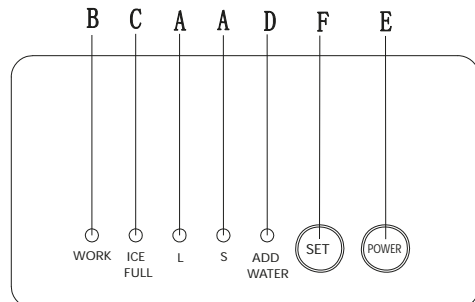
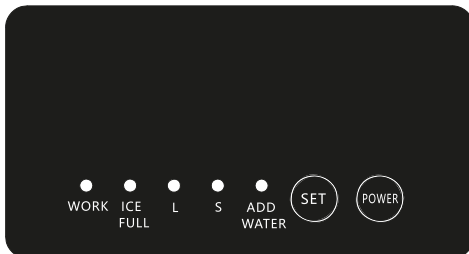
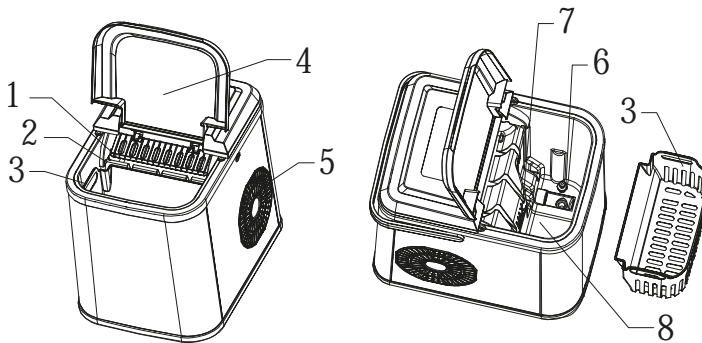


- This appliance is intended to be used in household and similar applications such as
 - staff kitchen areas in shops, offices and other working environments;
 - farm houses and by clients in hotels, motels and other residential type environments;
 - bed and breakfast type environments
 - catering and similar non-retail applications
- Do not store explosive substances such as aerosol cans with a flammable propellant in this appliance.
- Clean water tanks if they have not been used for 48h. Flush the water system connected to a water supply if water has not been drawn for 5 days.
- When the machine is damaged, it must be repaired by a professional qualified repair agency. Users cannot repair it on their own.

HOUSEHOLD USE ONLY

KNOW YOUR ICE MAKER

1. Ice Pick:
2. Infrared Full Sensor: Ice Block Infrared Reception, display panel full of ice light.
3. Ice Basket: Used for storing and moving ice.
4. Flip: Transparent or with a see-through window so that the interior is clearly visible.
5. Air Outlet Grid: in order to ensure smooth air outlet, should be kept at a distance of more than 15 cm from the object.
6. Drain plug: Hand into the tank from the bottom to the top of the drain plug, the tank can be drained of water.
7. Water limit location: "Max" calibration line.
8. Bladder.
9. Control Panel:
 - A. Choose ice size: small ice and large
 - B. Power Indicator
 - C. Ice-filled indicator
 - D. Water Shortage Instructions: Prompt you to add water to the Tank
 - E. Switch Button
 - F. Ice size selection button





BEFORE FIRST USE

1. Please ensure the ice maker is level and on a stable table or platform to avoid malfunction.
2. The incline angle of the ice maker cabinet should not exceed 45° during transportation or use. Do not turn the ice maker upside down. Doing so could cause the compressor or refrigerating system to operate incorrectly. Please allow time for the fluids in the compressor to settle after the ice maker is moved or transported. Before using the ice maker for the first time, please wait for 2 hours after the unit has been leveled and positioned in the proper place.
3. Unpack the appliance, then check and make sure that all the accessories including ice basket and ice scoop etc. are complete. Please contact with the client service department if some accessories are missed.
4. The appliance must be placed on a dry and level surface with sufficient ventilation, far from heat sources such as ovens, heaters and corrosive gases. Leave an about 8-inch clearance on all sides of the ice maker for proper ventilation.
5. Do not fill the water reservoir with hot water. This may damage the ice maker. It isDo not use the appliance at a very cold environment (lower than 5°C).
6. Clean the appliance by following the operation of "CLEANING AND MAINTENANCE" before operate.

USING YOUR ICE MAKER

1. Open the top cover, take out the ice basket and add water to the tank to keep the water level below the
2. Press the on/off button on the control panel to start making ice.
3. Press the settings button to select the size of ice, if the room temperature is below 15 degrees C, we recommend you choose small ice to prevent even ice.
4. Each ice-making cycle lasts from 6 to 13 minutes, depending on the size of the chosen ice and the room temperature,
5. After the ice machine starts, check the water level in the tank frequently. If the pump fails to pump water, the ice maker will automatically shut down. The water shortage indicator light shows that there is a shortage of water. At this time, add water to the water tank and press on/Key to start ice making again.
6. If the ice in the ice basket is full, it will stop making ice automatically and the full ice lamp will light up. When the ice position is below the infrared detection position, the machine will work again and the light will be too strong, which may affect the full ice function.
7. It is recommended to change the water every 24 hours to keep it clean. If the ice machine is not used for a long time, please drain the remaining water from the tank.
8. In standby, press on/key for 5 seconds until the ice is full and the water shortage lamp flashes in turn. The automatic cleaning function starts and lasts for 15 minutes. To stop, press on/Key for 1 second.



CLEANING AND MAINTENANCE

Check and make sure the drain plug must be closed well. Fill the water reservoir with clean water, then hold and press the "ON/OFF" key for 10 seconds, the pump will start to pump water and keep running for 15 minutes, and it will enter into standby condition after running for 15 minutes, finally, open the drain plug and empty the water

To keep your ice tasting fresh and your ice maker looking great, we recommend cleaning your ice maker once per week.

1. Stop the ice-making cycle by pressing the ON/OFF key, unplug the ice maker from the wall outlet and allow it to warm up to room temperature.
2. If residual water is found in the ice tray, gently push the ice tray back so that all water drains into the water reservoir.
3. Move the appliance forward to a position 75mm away from the working table and open the drain plug to drain out excess water.
4. Remove the ice basket.
5. Clean the evaporator by following the operation as below: pour the clean water into the ice maker and run it to make ice for three cycles, and then empty the ice and water in the ice maker.
6. Clean the ice maker interior with a soft cloth soaked with warm water and vinegar, then rinse with clean water and then drain all the water.
7. Replace the drain plug well in position. Wash the ice basket and ice scoop in warm soapy water. Rinse and dry.
8. Clean the exterior of the ice maker with a soft damp cloth. Use a mild dishwashing soap, if necessary.
Note: Do not use organic solvent, boiled water, detergent, strong acid and strong alkali etc. for cleaning.
9. Please empty the water reservoir and dry it for storage if the ice maker is not used for a long time.

In the event of an abnormal grounding system outside the appliance, the use of the ice machine should be immediately discontinued. And unplug its power plug or disconnect all connections with the power supply circuit, and contact the manufacturer's maintenance staff to deal with. Note: If the problems listed above are caused by the ice machine itself, the professional should be asked to repair them. If failure can not be eliminated, please contact after-sales service department, please do not disassemble at will.

TROUBLESHOOTING

Problem	Possible causes	Solution
ADD WATER indicator turns on	Low water level or lack of water	Stop making ice, refill water and then press "ON/OFF" key to restart ice-making cycle.
	The water screen at the bottom of water reservoir is blocked.	Do cleaning
	Pump malfunction.	Send it to the authorized department for repair.
ICE FULL indicator lights up	Ice basket is full and the infrared light is blocked by the ice.	Remove the ice from ice basket.
	Infrared light-emitting diode & light-receiving diode do not work	Wipe up the foreign objects on the infrared light-emitting diode & light-receiving diode and restart the ice maker.
		Call Customer Service if the infrared light-emitting diode & light-receiving diode still can not work after wiping up the foreign objects on them and restarting the ice maker.
ADD WATER and ICE FULL indicators turn on simultaneously	The ice tray is not in the right position.	Check if the ice tray is blocked by something.
		Unplug the appliance and plug it again, then restart the appliance.
The ice collects together.	Making ice takes too much time.	Stop making ice and restart the ice-making cycle after the ice melts.
	The water in the water reservoir is of too low temperature.	Fill the water reservoir with water ranges between 8°C and 25°C.

Problem	Possible causes	Solution
The ice-making cycle seems normal but no ice is produced.	The ambient temperature or water temperature is too high.	Start the ice-making cycle at a environment with an ambient temperature less than 32°C and fill the water reservoir with some cold water.
	Refrigerating system leaks	Call customer service
	Refrigerating system blocks	Call customer service
Poor ice-making result	Poor heat dissipation.	Leave an 8-inch clearance on all sides of the ice maker for proper ventilation.
	The water temperature is too high.	Fill the water reservoir with water ranges between 8°C and 28°C
	The ambient temperature is too high.	Operate the ice maker at a environment with an ambient temperature between 10°C and 32°C.

TECHNICAL PARAMETERS

Model:	FDZ12-8010
Applicable climate:	SN/N/ST
Class:	I
Power source:	220-240V/50Hz
Rated power:	110W
Refrigerant/Refrigerant amount:	R600a/22g
Net weight:	6.1kg
Gross weight:	6.7kg
Housing:	Plastic
Unit size (DXWXH)	303*228*290mm

ENVIRONMENT FRIENDLY DISPOSAL



Do not dispose of the device in normal domestic waste. Dispose of the device over a registered waste disposal firm or through your communal waste disposal facility. Observe the currently valid regulations. In case of doubt, consult your waste disposal facility.

Lees deze handleiding vóór gebruik zorgvuldig door en bewaar hem goed, zodat u hem later nog eens kunt raadplegen.

BELANGRIJKE VEILIGHEIDSVOORSCHRIFTEN

Houd u aan de volgende veiligheidsinstructies om brand, elektrische schokken en/of persoonlijk letsel tijdens het gebruik van het apparaat te voorkomen.

- Controleer vóór gebruik of de netspanning overeenkomt met de spanning die wordt aangegeven op het typeplaatje van het apparaat.
- Veiligheids-, waarschuwings- of productinformatie-etiketten mogen niet van het apparaat worden verwijderd.
- Steek de stekker in een geaard stopcontact. Op hetzelfde stopcontact mogen tegelijkertijd geen andere apparaten worden aangesloten. De stekker moet stevig in het stopcontact zitten.
- Het apparaat is voorzien van een snoer met een geaarde stekker. Steek de stekker alleen in een stopcontact dat deugdelijk geïnstalleerd en geaard is.
- Gebruik bij voorkeur geen verlengsnoer, omdat die oververhit kan raken waardoor brand kan ontstaan. Is het gebruik van een verlengsnoer toch noodzakelijk:
 - 1)gebruik dan uitsluitend een verlengsnoer met een geaarde stekker;
 - 2)dan moet het aangegeven vermogen van het verlengsnoer groter zijn dan of gelijk zijn aan het vermogen van het apparaat;
 - 3)plaats het verlengsnoer dan zodanig dat het niet over de rand van een aanrechtblad of tafelblad hangt, zodat kinderen er niet aan kunnen trekken.
- Gebruik het apparaat niet als het snoer of de stekker is beschadigd of als het apparaat niet goed werkt of op andere wijze is beschadigd. Breng het apparaat naar het dichtstbijzijnde erkende servicepunt voor onderzoek of reparatie.
- Wanneer het snoer beschadigd is, moet het worden vervangen door de fabrikant of een erkend onderhoudsbedrijf om gevaarlijke situaties te voorkomen.

- Laat het snoer niet over de rand van de tafel of het aanrecht hangen.
- Zet het apparaat niet op of in de nabijheid van een heet fornuis of in een verwarmde oven.
- Zorg ervoor dat kinderen niet aan het snoer kunnen trekken en dat er niet over gestruikeld kan worden.
- Het snoer mag niet in aanraking komen met hete oppervlakken.
- Het gebruik van accessoires die niet door de fabrikant worden aanbevolen of verkocht, kan brand, elektrische schokken of persoonlijk letsel tot gevolg hebben.
- Raak tijdens het gebruik van het apparaat de verdamper niet aan om bevrozing te voorkomen.
- Dompel het apparaat of onderdelen ervan niet onder in water.
- Schakel het apparaat na gebruik uit en haal de stekker uit het stopcontact.
- Raak de stekker niet aan met natte handen.
- Haal de stekker uit het stopcontact voordat u het apparaat schoonmaakt of onderhoud pleegt en als het niet wordt gebruikt.
- Gebruik geen water dat mogelijk verontreinigd is.
- Gebruik geen ontvlambare vloeistoffen om het apparaat schoon te maken. Vrijkomende dampen kunnen brandgevaar of een explosie veroorzaken.
- Zet de ijsmachine niet ondersteboven neer. Gebeurt dit per ongeluk toch, zet het apparaat dan rechtop en laat het twee uur staan voordat u het inschakelt.
- Als de ijsmachine in een koude omgeving wordt bewaard, moet hij vóór gebruik eerst enkele uren opwarmen tot kamertemperatuur.
- Doe nooit ontvlambare, explosieve en corrosieve voorwerpen in de ijsmachine.
- Gebruik de ijsmachine nooit als er ontvlambaar gas lekt.
- Gassen en andere ontvlambare producten mogen nooit in de omgeving van de ijsmachine worden opgeslagen of gebruikt ter voorkoming van brand.
- Haal de stekker uit het stopcontact voordat u het apparaat verplaatst. Zo voorkomt u schade aan het koelsysteem.
- Probeer het apparaat niet zelf uit elkaar te halen, te repareren of aan te passen of om onderdelen te vervangen.

- Dit apparaat mag worden gebruikt door kinderen van 8 jaar en ouder en door personen met lichamelijke, zintuiglijke of geestelijke beperkingen of met gebrek aan ervaring en kennis, op voorwaarde dat zij worden geïnstrueerd over het veilige gebruik van het apparaat en op de hoogte zijn van de risico's ervan. Laat kinderen niet spelen met dit apparaat. Laat kinderen het apparaat niet schoonmaken of onderhouden zonder toezicht.
- Laat het apparaat niet onbeheerd achter terwijl het ingeschakeld is.
- Gebruik het apparaat niet buitenshuis.
- Gebruik het apparaat uitsluitend voor het doel waarvoor het is bestemd.
- Dit apparaat bevat ontvlambaar gas en koelmiddel.
- Houd u altijd aan de gemeentelijke voorschriften bij het afvoeren van het afgedankte apparaat.
- Bewaar deze voorschriften goed.
- Waarschuwing: gebruik alleen water dat direct gedronken kan worden. Gebruik geen cola, suikerwater of thee om ijs te maken.
- Bij het gebruik van elektrische apparaten moeten basis veiligheidsmaatregelen worden genomen om het risico op brand, elektrische schokken en letsel te verminderen. Lees de instructies voordat u elektrische apparaten gebruikt.
- Leg netsnoeren niet op tapijten of andere warmtebronnen. Plaats netsnoeren niet op plaatsen waar mensen of voorwerpen bewegen en dompel ze niet onder in water. Een verlengsnoer wordt niet aanbevolen vanwege het risico op oververhitting, elektrische lekkage of brand.
- Als het netsnoer beschadigd is, moet het door een professional worden vervangen.
- Wanneer u de machine niet meer gebruikt, moet u de stekker uit het stopcontact halen.
- Haal de stekker uit het stopcontact of schakel de stroom uit voordat u de machine reinigt.
- Trek de stekker nooit met uw hand aan het netsnoer uit het stopcontact. U moet de stekker met uw hand pakken en deze in een rechte lijn eruit trekken.
- Er mogen geen explosieven of versnellers in het apparaat worden opgeslagen. Dit apparaat is uitsluitend bedoeld voor huishoudelijke en soortgelijke doeleinden. Een keukenruimte zoals een winkel, kantoor, of

andere werkplek

- **Waarschuwing:** gebruik de ijsmachine niet buitenshuis en stel hem niet bloot aan regen. Deze ijsmachine moet in een barrière vrije omgeving worden geplaatst om een
- Kantel de machine alstublieft niet. Dit kan een abnormaal geluid en een abnormale omvang van het ijs veroorzaken. Als dit ernstig is, kan dit waterlekkage veroorzaken.
- Als de machine net van buiten is binnengekomen, gebruik hem dan een tijdje niet totdat de temperatuur van de machine is gestegen naar kamertemperatuur.
- De machine moet geaard zijn en gevoed worden met 220V-/50Hz.
- Het koelsysteem bevat koelmiddel onder hoge druk, en de koeling
- het systeem mag niet worden vernietigd. Er moet speciale zorg worden besteed aan de installatie en het gebruik van de machine.
- Installatie en onderhoud moeten worden uitgevoerd door de fabrikant of professional. Schroef moet worden afgevoerd door de aangewezen recyclingafdeling.
- Isolatiematerialen voor ijsmachines zijn brandbare materialen. Blijf uit de buurt van de vuurbron. Onderhoud moet door professionals worden gedaan.
- **WAARSCHUWING:** vul uitsluitend met drinkwater.
- **WAARSCHUWING:** Houd ventilatieopeningen vrij van obstructies.
- **WAARSCHUWING:** Gebruik geen mechanische apparaten of andere middelen om het ontdooien te versnellen proces.
- **WAARSCHUWING:** Beschadig het koelcircuit niet.
- **WAARSCHUWING:** Gebruik geen elektrische apparaten in de ijsopslagcompartimenten van de apparaat.
- **WAARSCHUWING:** Zorg er bij het plaatsen van het apparaat voor dat het netsnoer niet klem komt te zitten of beschadigd raakt.
- **WAARSCHUWING:** Gebruik niet meerdere draagbare stopcontacten of draagbare voedingen.
- Dit apparaat is bedoeld voor gebruik in huishoudelijke en soortgelijke toepassingen, zoals
 - personeelskeukens in winkels, kantoren en andere werkomgevingen;



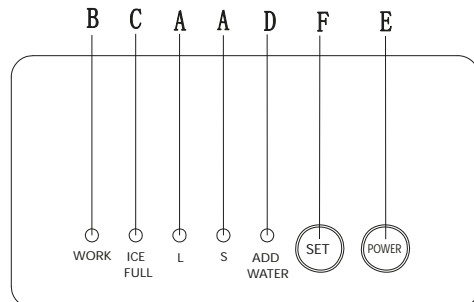
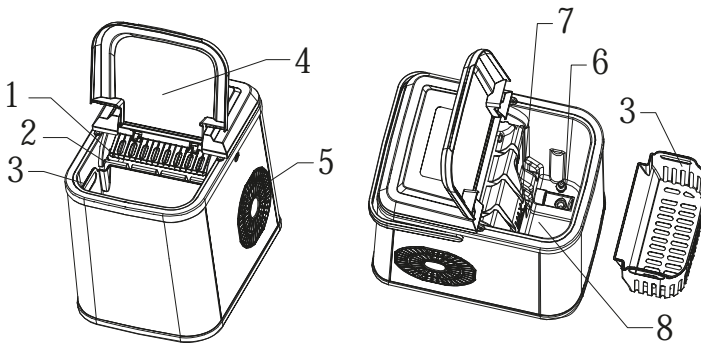
- boerderijen en door klanten in hotels, motels en andere woonachtige omgevingen;
- bed & breakfast-achtige omgevingen
- catering en soortgelijke niet-retailtoepassingen
- Bewaar geen explosieve stoffen zoals spuitbussen met een brandbaar drijfgas in dit apparaat.
- Maak de watertanks schoon als ze 48 uur niet zijn gebruikt. Spoel het watersysteem aangesloten op a watervoorziening als er gedurende 5 dagen geen water is afgenomen.
- Wanneer de machine beschadigd is, moet deze worden gerepareerd door een professioneel, gekwalificeerd reparatiebedrijf. Gebruikers kunnen het niet zelf repareren.

UITSLUITEND BEDOELD VOOR HUISHOUDELIJK GEBRUIK

NL

Onderdelen

1. Ijsblokjesvormer
2. Niveausensor: als het apparaat is gevuld met ijsblokjes, gaat het lampje 'Ice Full' op het bedieningspaneel branden.
3. Ijsblokjesbak: deze bak bevat de ijsblokjes en kan uit het apparaat worden gehaald.
4. Deksel: geheel doorzichtig of met een venster om in het apparaat te kunnen kijken.
5. Ventilatioerooster: laat altijd minstens 15 cm ruimte vrij voor deze opening om te zorgen voor een goede lucht-afvoer.
6. Afvoerstop: hiermee kunt u het waterreservoir laten leeglopen.
7. Waterpeilaanduiding: vul het reservoir tot de aanduiding 'max'.
8. Waterreservoir
9. Bedieningspaneel:
 - A. kies uit kleine of grote ijsblokjes.
 - B. Voedingslampje
 - C. Lampje 'Ice Full': het apparaat is gevuld met ijsblokjes.
 - D. Lampje 'Add Water': het reservoir moet worden bijgevuld.
 - E. Aan-uitknop
 - F. Keuzeknop voor kleine of grote ijsblokjes





VÓÓR HET EERSTE GEBRUIK

1. Haal het apparaat uit de verpakking. Controleer of alle accessoires zijn meegeleverd. Neem contact op met de klantenservice als er onderdelen ontbreken.
2. Zet de ijsmachine op een vlakke en stevige ondergrond om storingen te voorkomen.
3. Plaats het apparaat tijdens transport en opslag nooit in een hoek van meer dan 45°. Keer het apparaat nooit ondersteboven, omdat hierdoor storingen in het systeem kunnen ontstaan. Wacht na transport van het apparaat 2 uur voordat u het voor de eerste keer gebruikt, zodat de vloeistoffen in de compressor kunnen bezinken.
4. Plaats het apparaat op een droge en egale ondergrond met voldoende ventilatie, ver uit de buurt van warmtebronnen zoals ovens, verwarmingstoestellen en corrosieve gassen. Laat ongeveer 20 cm ruimte rondom het apparaat vrij voor voldoende ventilatie.
5. Vul het waterreservoir niet met warm water; hierdoor kan het apparaat beschadigd raken. Gebruik water op kamertemperatuur of kouder.
6. Gebruik het apparaat niet in een erg koude omgeving (temperatuur lager dan 5°C).
7. Maak het apparaat vóór gebruik schoon en volg hierbij de instructies op zoals beschreven onder REINIGING EN ONDERHOUD.

GEBRUIK VAN DE IJSMACHINE

1. Open het deksel, haal de ijsblokjesbak uit het apparaat en vul het reservoir met water tot de aanduiding 'MAX'. Doe de houder terug in het apparaat en sluit het deksel. Het water mag niet hoger staan dan de onderkant van de ijsblokjesbak.
2. Druk op de aan-uitknop op het bedieningspaneel om ijsblokjes te maken.
3. Druk op de instelknop om de grootte van de ijsblokjes te kiezen. Als de kamertemperatuur lager is dan 15 °C, kunt u het beste kiezen voor kleine ijsblokjes om te voorkomen dat ze aan elkaar vast komen te zitten.
4. Elke ijsblokjescyclus duurt 6 tot 13 minuten, afhankelijk van de gekozen grootte, de kamertemperatuur en de watertemperatuur.
5. Controleer tijdens het gebruik regelmatig het waterpeil in het reservoir. Het apparaat schakelt automatisch uit als het waterpeil te laag is. Een laag waterpeil wordt aangegeven met het lampje op het bedieningspaneel. Vul het reservoir bij en druk op de aan-uitknop om verder te gaan met het maken van ijsblokjes.
6. Zodra de ijsblokjesbak vol is, stopt het apparaat automatisch en gaat het indicatielampje branden. Wanneer de sensor geen ijs meer detecteert, gaat het apparaat verder met het maken van ijsblokjes. Een zeer fel omgevingslicht kan de werking van de niveausensor beïnvloeden.
7. Het wordt geadviseerd om het water in het reservoir elke 24 uur te vervangen door schoon water. Laat het reservoir leeglopen als u het apparaat gedurende langere tijd niet gebruikt.
8. Wanneer het apparaat stand-by staat, houdt u de aan-uitknop 5 seconden lang ingedrukt totdat de lampjes voor een volle ijsblokjesbak en een te laag waterpeil na elkaar knipperen. De automatische schoonmaakfunctie van 15 minuten wordt gestart. Deze kunt u stoppen door 1 seconde lang op de aan-uitknop te drukken.



REINIGING EN ONDERHOUD

NL

Controleer en zorg ervoor dat de aftapplug goed gesloten is. Vul het waterreservoir met schoon water, houd vervolgens de toets "ON/OFF" 10 seconden ingedrukt, de pomp zal water gaan pompen en 15 minuten blijven draaien, en zal na 15 minuten draaien in stand-bytoestand komen, tenslotte, open de aftapplug en maak het leeg het waterreservoir.

Het wordt aanbevolen om de ijsmachine eens per week schoon te maken. Hierdoor gaat het apparaat langer mee en blijft de buitenzijde langer mooi.

1. Onderbreek de productiecycclus door op de knop ON/OFF te drukken, haal de stekker uit het stopcontact en laat het apparaat op kamertemperatuur komen.
2. Duw als er water in de ijsbak is achterbleven de bak voorzichtig terug, zodat het water terugloopt in het reservoir.
3. Schuif het apparaat ongeveer 75 mm over de rand van het werkblad en verwijder de afvoerstop om overtollig water af te voeren.
4. Haal de ijsmand uit het apparaat.
5. Reinig de verdamer als volgt: giet schoon water in de ijsmachine en laat het apparaat drie productiecycli uitvoeren. Verwijder vervolgens het ijs en het achterbleven water uit het apparaat.
6. Maak de binnenkant van het apparaat schoon met een zachte doek en warm water met azijn. Naspoelen met schoon water en het overtollige water laten weglopen.
7. Plaats de afvoerstop weer terug. Maak de ijsmand en de ijschep schoon met een warm sopje en spoel en droog ze af.
8. Reinig de buitenkant van de ijsmachine met een zachte vochtige doek. Gebruik eventueel een mild afwasmiddel.
Let op: gebruik voor het schoonmaken geen oplosmiddelen, kokend water, reinigingsmiddelen of sterke zuren.
9. Leeg het waterreservoir en maak het apparaat droog voordat u het opbergt als het gedurende een langere periode niet wordt gebruikt.

Als er geen aardingsvoorzieningen aanwezig zijn op de plek waar u het apparaat wilt aansluiten, mag u de ijsblokjesmaker niet gebruiken. Haal de stekker uit het stopcontact en neem contact op met de klantenservice. Let op: Als de bovenstaande problemen worden veroorzaakt door het apparaat zelf, schakel dan een erkend onderhoudsbedrijf in om het te repareren. Als u een storing niet kunt verhelpen, neemt u contact op met de klantenservice. Probeer niet zelf het apparaat open te maken.

19

PROBLEMEN OPLOSSEN

Probleem	Mogelijke oorzaak	Oplossing
Het lampje ADD WATER gaat branden.	Te weinig of geen water in het reservoir.	Onderbreek het productieproces, vul het water bij en druk op de knop ON/OFF om de cyclus te herstarten.
	De waterzeef onder in het reservoir is verstopt.	Maak het apparaat schoon.
	Storing aan de pomp.	Laat het repareren bij een erkend servicepunt.
Het lampje ICE FULL gaat branden.	De ijsmand is vol en het infraroodlampje wordt geblokkeerd door het ijs.	Haal de ijsblokjes uit de ijsmand.
	De infrarood lichtuitstralende en -ontvangende dioden werken niet.	Reinig de lichtuitstralende en -ontvangende dioden met een zachte doek en schakel de ijsmachine weer in.
		Als dit niet helpt, neemt u contact op met de klantenservice.
De lampjes ADD WATER en ICE FULL branden tegelijkertijd.	De ijsbak bevindt zich niet op de juiste plaats.	Controleer of de ijsbak geblokkeerd wordt.
		Haal de stekker uit het stopcontact en steek hem er weer in en schakel het apparaat opnieuw in.
De ijsblokjes kleven aan elkaar.	Het productieproces heeft te lang geduurd.	Onderbreek de cyclus en schakel de ijsmachine weer in zodra het ijs is gesmolten.
	De temperatuur van het water in het waterreservoir is te laag.	Vul het waterreservoir met water dat een temperatuur heeft tussen 8°C en 25 °C.

Probleem	Mogelijke oorzaak	Oplossing
De productiecyclus lijkt normaal, maar er wordt geen ijs gemaakt.	De kamertemperatuur of de watertemperatuur is te hoog.	Start de productiecyclus bij een kamertemperatuur van niet hoger dan 32 °C en vul het waterreservoir met koud water.
	Vriessysteem lekt.	Neem contact op met de klantenservice.
	Vriessysteem is geblokkeerd.	Neem contact op met de klantenservice.
Slechte ijskwaliteit.	Slechte warmteafvoer.	Laat ongeveer 20 cm ruimte rondom het apparaat vrij voor voldoende ventilatie.
	De watertemperatuur is te hoog.	Vul het waterreservoir met water dat een temperatuur heeft tussen 8°C en 25°C.
	De kamertemperatuur is te hoog.	Start de productiecyclus bij een kamertemperatuur van niet hoger dan 32 °C en vul het waterreservoir met koud water.

TECHNISCHE SPECIFICATIES

Model:	FDZ12-8010
Geschikte klimaattypen:	SN/N/ST
Klasse:	I
Voeding:	220-240 V/50 Hz
Nominaal vermogen:	110 W
Koelmiddel/hoeveelheid koelmiddel:	R600a / 22 g
Nettogewicht:	6,1 kg
Brutogewicht:	6,7 kg
Behuizing:	Plastic
Afmetingen (D x B x H):	303 x 228 x 290 mm

MILIEUVRIENDELIJK AFVOEREN



Denk aan het milieu!

Houd u aan de plaatselijke richtlijnen voor afvalinzameling. Lever oude elektrische apparatuur in bij de daarvoor bestemde inzamelingslocatie.







BluMill



Distributed by: **OCG Consumer Products**

Eemnesserweg 11-10

1251 NA Laren

the Netherlands

klantenservice@omnichannelgroup.com



www.blumill.shop